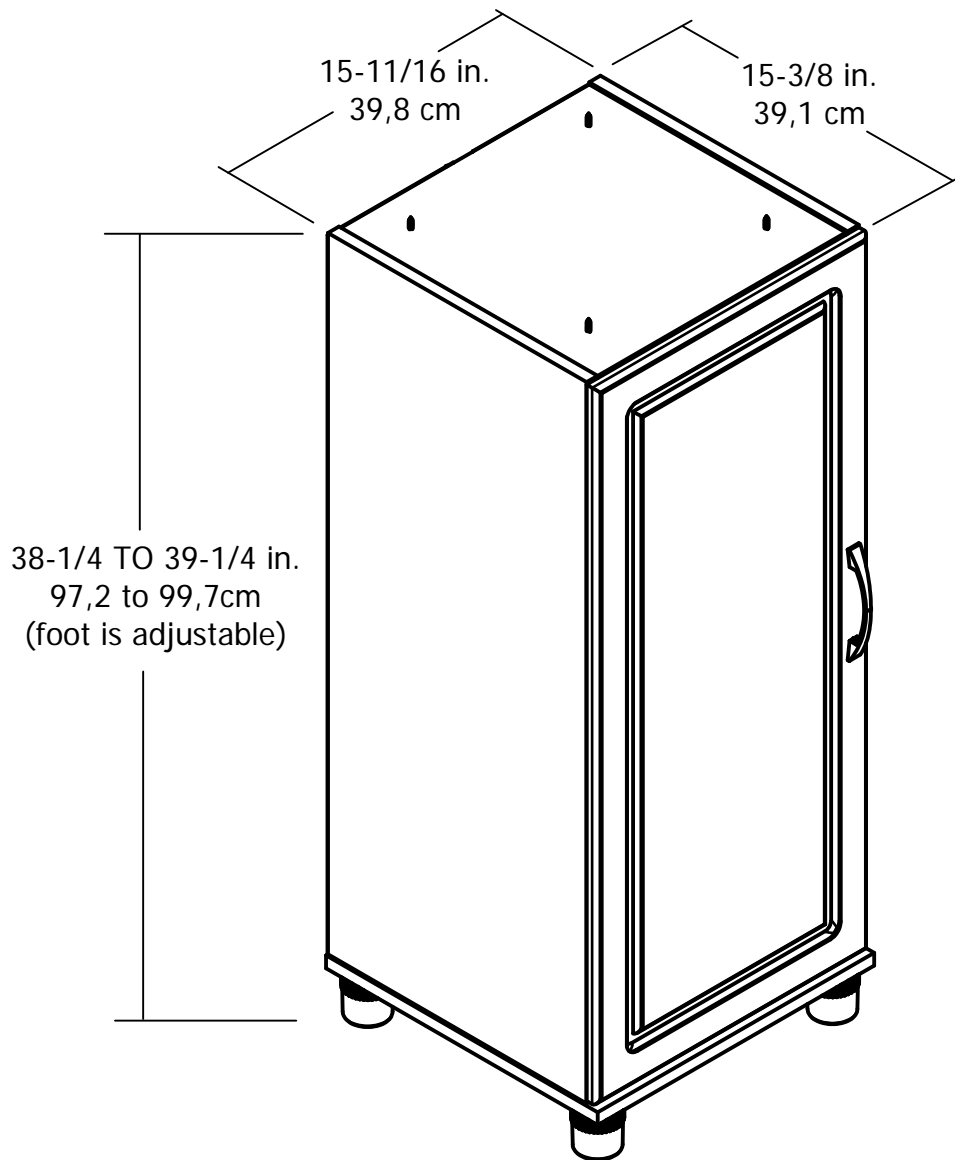


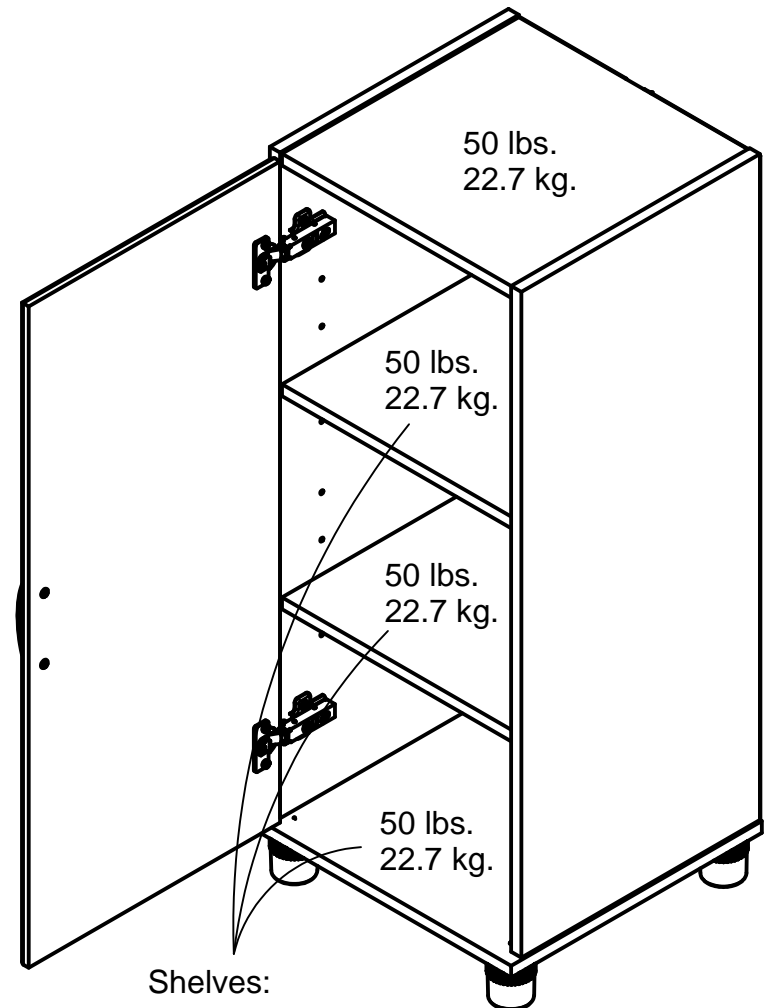
UNIT DESCRIPTION  
**UTILITY CABINET**

ASSEMBLED DIMENSIONS (H X W X D)

38-1/4" X 15-11/16" X 15-3/8"  
97.2cm X 39.8cm X 39.1cm



FINISH: (401) WHITE AQUASEAL  
(403) ONTARIO WHITE (DOOR FRONT)  
WEIGHT: 43 LBS (19.5 KG)



Shelves:  
14-1/8" wide  
14-1/2" deep